



Voltage Detectors, ME2808 Series

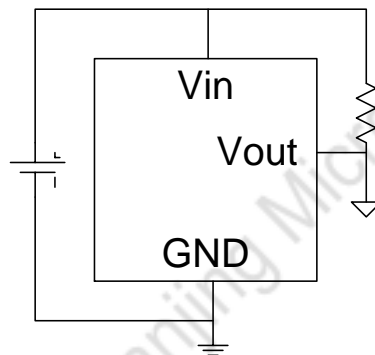
General Description

ME2808 Series are a set of three-terminal low power voltage detectors implemented in NMOS technology. Each voltage detector in the series detects a particular fixed voltage ranging from 2.0V to 7.0V. The voltage detectors consist of a high precision and low power consumption standard voltage source, a comparator, hysteresis circuit, and an output driver. NMOS technology ensures low power consumption.

Typical Application

- battery checkers
- Level selectors
- Power failure detectors
- Microcomputer reset
- Battery backup of Memories
- Store non-volatile RAM signal protectors

Typical Application Circuit



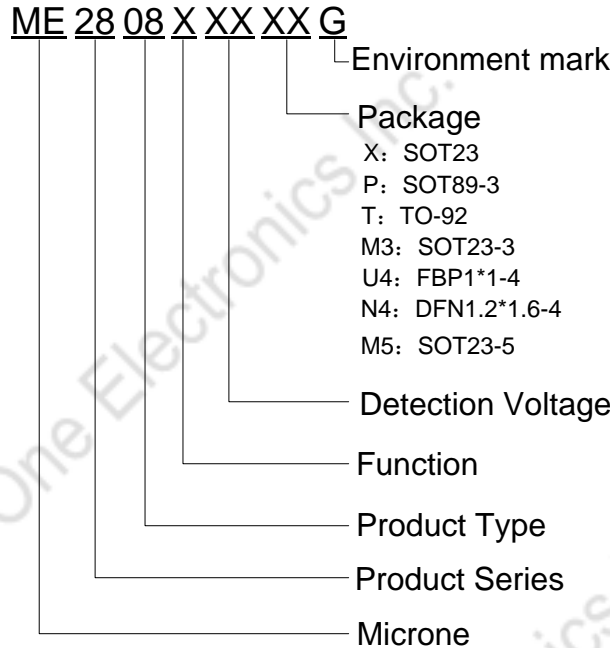
Features

- Highly accuracy Detection voltage: $\pm 1\%$
- Low power consumption: TYP 1.8uA ($V_{in}=3V$)
- Detection voltage range: 2.0V~7.0V in 0.1V increments
- Operating voltage range: 1.5V~18V
- Detect voltage temperature characteristics: TYP $\pm 0.9mV/^{\circ}C$
- Output configuration: NMOS

Package

- 3-pin SOT23、SOT23-3、SOT89-3、TO-92
- 4-pin FBP1*1-4、DFN1.2*1.6-4
- 5-pin SOT23-5

Selection Guide

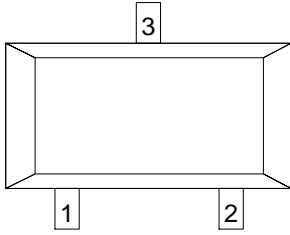


product series	product description
ME2808A22M3G	VIN=H → L V _{DET} =2.2V; VIN Falling edge detection; Package: SOT23-3
ME2808A22PG	VIN=H → L V _{DET} =2.2V; VIN Falling edge detection; Package: SOT89-3
ME2808A24M3G	VIN=H → L V _{DET} =2.4V; VIN Falling edge detection; Package: SOT23-3
ME2808A25M3G	VIN=H → L V _{DET} =2.5V; VIN Falling edge detection; Package: SOT23-3
ME2808A25PG	VIN=H → L V _{DET} =2.5V; VIN Falling edge detection; Package: SOT89-3
ME2808A25XG	VIN=H → L V _{DET} =2.5V; VIN Falling edge detection; Package: SOT23
ME2808A27M3G	VIN=H → L V _{DET} =2.7V; VIN Falling edge detection; Package: SOT23-3
ME2808A27TG	VIN=H → L V _{DET} =2.7V; VIN Falling edge detection; Package: TO-92
ME2808A28M3G	VIN=H → L V _{DET} =2.8V; VIN Falling edge detection; Package: SOT23-3
ME2808A30M3G	VIN=H → L V _{DET} =3.0V; VIN Falling edge detection; Package: SOT23-3
ME2808A30PG	VIN=H → L V _{DET} =3.0V; VIN Falling edge detection; Package: SOT89-3
ME2808A32PG	VIN=H → L V _{DET} =3.2V; VIN Falling edge detection; Package: SOT89-3
ME2808A33M3G	VIN=H → L V _{DET} =3.3V; VIN Falling edge detection; Package: SOT23-3
ME2808A33PG	VIN=H → L V _{DET} =3.3V; VIN Falling edge detection; Package: SOT89-3
ME2808A33U4AG	VIN=H → L V _{DET} =3.3V; VIN Falling edge detection; Package: FBP1*1-4
ME2808A33XG	VIN=H → L V _{DET} =3.3V; VIN Falling edge detection; Package: SOT23
ME2808A35M3G	VIN=H → L V _{DET} =3.5V; VIN Falling edge detection; Package: SOT23-3
ME2808A36M3G	VIN=H → L V _{DET} =3.6V; VIN Falling edge detection; Package: SOT23-3
ME2808A36XG	VIN=H → L V _{DET} =3.6V; VIN Falling edge detection; Package: SOT23
ME2808A38M3G	VIN=H → L V _{DET} =3.8V; VIN Falling edge detection; Package: SOT23-3

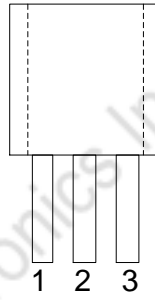
ME2808A39M3G	VIN=H → L V _{DET} =3.9V; VIN Falling edge detection; Package: SOT23-3
ME2808A39PG	VIN=H → L V _{DET} =3.9V; VIN Falling edge detection; Package: SOT89-3
ME2808A40M3G	VIN=H → L V _{DET} =4.0V; VIN Falling edge detection; Package: SOT23-3
ME2808A40PG	VIN=H → L V _{DET} =4.0V; VIN Falling edge detection; Package: SOT89-3
ME2808A42M3G	VIN=H → L V _{DET} =4.2V; VIN Falling edge detection; Package: SOT23-3
ME2808A42M5G	VIN=H → L V _{DET} =4.2V; VIN Falling edge detection; Package: SOT23-5
ME2808A42N4CG	VIN=H → L V _{DET} =4.2V; VIN Falling edge detection; Package: DFN1.2*1.6-4
ME2808A43M3G	VIN=H → L V _{DET} =4.3V; VIN Falling edge detection; Package: SOT23-3
ME2808A44M3G	VIN=H → L V _{DET} =4.4V; VIN Falling edge detection; Package: SOT23-3
ME2808A44PG	VIN=H → L V _{DET} =4.4V; VIN Falling edge detection; Package: SOT89-3
ME2808A45M3G	VIN=H → L V _{DET} =4.5V; VIN Falling edge detection; Package: SOT23-3
ME2808A50M3G	VIN=H → L V _{DET} =5.0V; VIN Falling edge detection; Package: SOT23-3
ME2808A50TG	VIN=H → L V _{DET} =5.0V; VIN Falling edge detection; Package: TO-92
ME2808A60M3G	VIN=H → L V _{DET} =6.0V; VIN Falling edge detection; Package: SOT23-3
ME2808B28M3G	VIN=L → H V _{DET} =2.8V; VIN Rising edge detection; Package: SOT23-3

NOTE: At present ,there are nineteen kinds of detection voltage value: 2.2V、2.4V、2.5V、2.7V、2.8V、3.0V、3.2V、3.3V、3.5V、3.6V、3.8V、3.9V、4.0V、4.2V、4.3V、4.4V、4.5V、5.0V、6.0V。
If you need other detection voltage and package, please contact our sales staff.

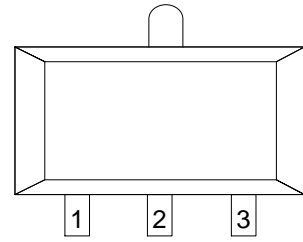
Pin Configuration (TOP VIEW)



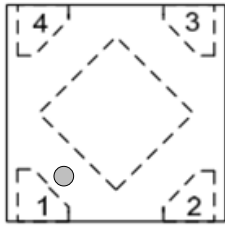
SOT23/ SOT23-3



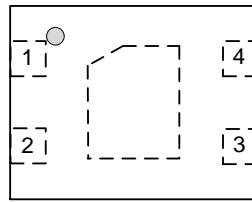
TO-92



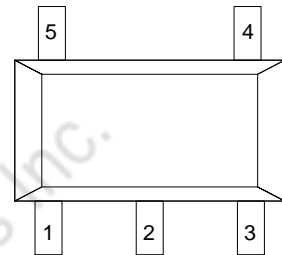
SOT89-3



FBP1*1-4



DFN1.2*1.6-4

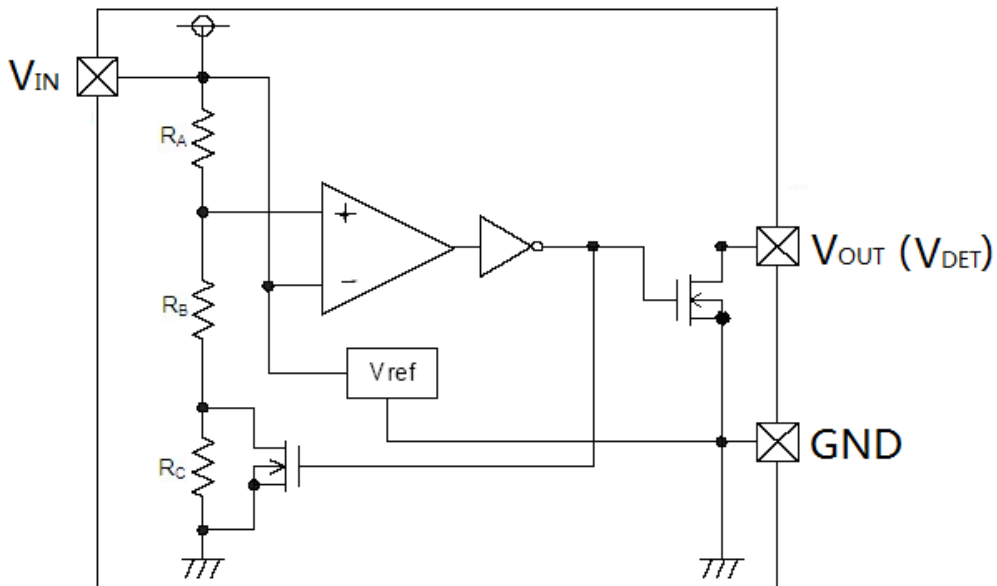


SOT23-5

Pin Assignment

Pin Number							Pin Name	Functions
SOT23	SOT23-3	TO-92	SOT89-3	FBP1*1-4	DFN1.2*1.6-4	SOT23-5		
2	2	3	3	3	3	3	GND	Ground
1	1	1	1	4	4	1	V _{OUT}	Output Voltage
3	3	2	2	1	1	2	V _{IN}	Input Voltage
				2	2	4	NC	No Connection
						5	NC	No Connection

Block Diagram



Absolute Maximum Ratings

Parameter		Symbol	Ratings	Units
V _{IN} Input Voltage		V _{INmax}	18	V
Output Current		I _{OUTmax}	20	mA
Output Voltage	NMOS	V _{OUT}	GND-0.3~ V _{IN} +0.3	V
Continuous Total Power Dissipation	SOT23	P _D	0.38	W
	SOT23-3		0.54	
	DFN1.2*1.6-4		0.42	
	SOT23-5		0.6	
	SOT89-3		1.25	
	TO-92		0.83	
	FBP1*1-4		0.5	
Thermal resistance (Junction to air)	SOT23	θ _{JA}	328	°C/W
	SOT23-3		230	
	DFN1.2*1.6-4		300	
	SOT23-5		210	
	SOT89-3		100	
	TO-92		150	
	FBP1*1-4		250	
Maximum junction temperature		T _J	-40~+150	°C
Operating Ambient Temperature		T _{Opr}	-40~+85	°C
Storage Temperature		T _{stg}	-55~+150	°C
Soldering temperature and time		T _{solder}	260°C, 10s	

Electrical Characteristics (V_{DET}=2.0V to 7.0V, T_A=25°C, unless otherwise noted)

Parameter	Symbol	Conditions	Min.	Typ.	Max.	Units
Detect Voltage	V _{DET}	ME2808A V _{IN} =H → L	V _{DET}	V _{DET}	V _{DET}	V
		ME2808B V _{IN} =L → H	x0.99		x1.01	
Hysteresis Width	V _{HYS}	V _{IN} =L → H → L V _{HYS} =V _{DET(+)} - V _{DET(-)}	V _{DET} x0.02	V _{DET} x0.05	V _{DET} x0.1	V
Operating Current	I _{IN}	V _{DET} =2.0V ~ 2.7V V _{IN} =3.0V	-	1.8	4	μA
		V _{DET} =2.8V ~ 3.5V V _{IN} =4.0V	-	1.8	4	
		V _{DET} =3.6V ~ 4.8V V _{IN} =5.0V	-	2.1	4	
		V _{DET} =4.9V ~ 7.0V V _{IN} =8.0V	-	3.5	4.5	
Operating Voltage	V _{IN}	V _{DET} =2.0V ~ 7.0V	0.7	-	18	V
Output Sink Current	I _{OL}	V _{DET} =2.0V ~ 2.7V V _{IN} =1.8V, V _{OUT} =0.2V	0.5	-	-	mA
		V _{DET} =2.8V ~ 3.5V V _{IN} =2.5V, V _{OUT} =0.3V	0.5	-	-	
		V _{DET} =3.6V ~ 4.8V V _{IN} =3.0V, V _{OUT} =0.3V	1.2	-	-	
		V _{DET} =4.9V ~ 7.0V V _{IN} =4.5V, V _{OUT} =0.3V	2.5	-	-	
Temperature characteristics	ΔV _{DET} /ΔT _A	0°C ≤ T _{opr} ≤ 70°C	-	±0.9	-	mV/°C

Functional Description

The ME2808 series is a set of voltage detectors equipped with a high stability voltage reference which is connected to the negative input of a comparator — denoted as V_{REF} in the following figure (Fig. 1). When the voltage drop to the positive input of the comparator (i.e., V_B) is higher than V_{REF} , V_{OUT} goes high, M1 turns off, and V_B is expressed as $V_{BH} = V_{IN} \times (R_B + R_C) / (R_A + R_B + R_C)$. If V_{IN} is decreased so that V_B falls to a value that is less than V_{REF} , the comparator output inverts (from high to low), V_{OUT} goes low, V_C is high, M1 turns on, R_C is bypassed, and V_B becomes: $V_{BL} = V_{IN} \times R_B / (R_A + R_B)$, which is less than V_{BH} . By so doing the comparator out-put will stay low to prevent the circuit from oscillating when $V_B \approx V_{REF}$. If V_{IN} falls below the minimum operating voltage, the output becomes undefined. When V_{IN} goes from low to $V_{IN} \times R_B / (R_A + R_B) > V_{REF}$, the comparator output goes high and V_{OUT} goes high again.

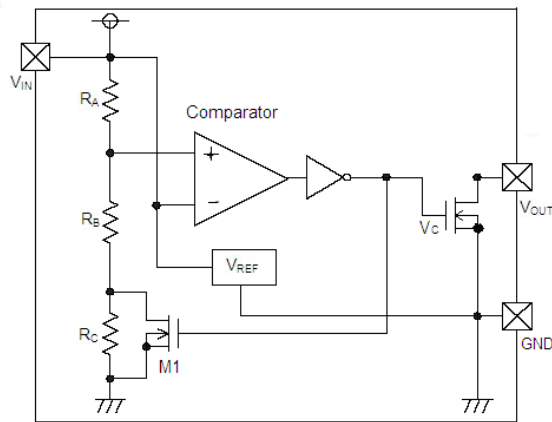


Fig.1 NMOS output voltage detector (ME2808)

ME2808A: The detection voltage is as defined:

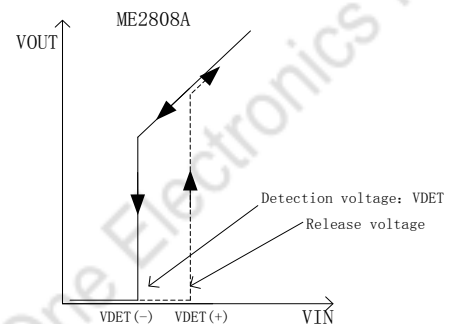
$$V_{DET} = V_{DET(-)} = (R_A + R_B + R_C) \times V_{REF} / (R_B + R_C)$$

The release voltage is as defined:

$$V_{DET(+)} = (R_A + R_B) \times V_{REF} / R_B$$

The hysteresis width is:

$$V_{HYS} = V_{DET(+)} - V_{DET(-)}$$



ME2808B: The detection voltage is as defined:

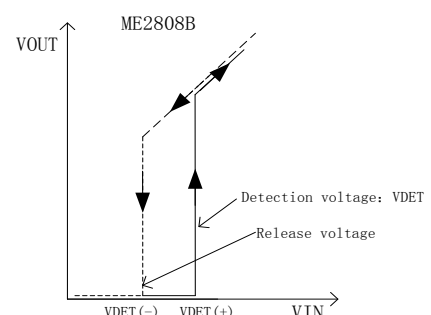
$$V_{DET} = V_{DET(+)} = (R_A + R_B) \times V_{REF} / R_B$$

The release voltage is as defined:

$$V_{DET(-)} = (R_A + R_B + R_C) \times V_{REF} / (R_B + R_C)$$

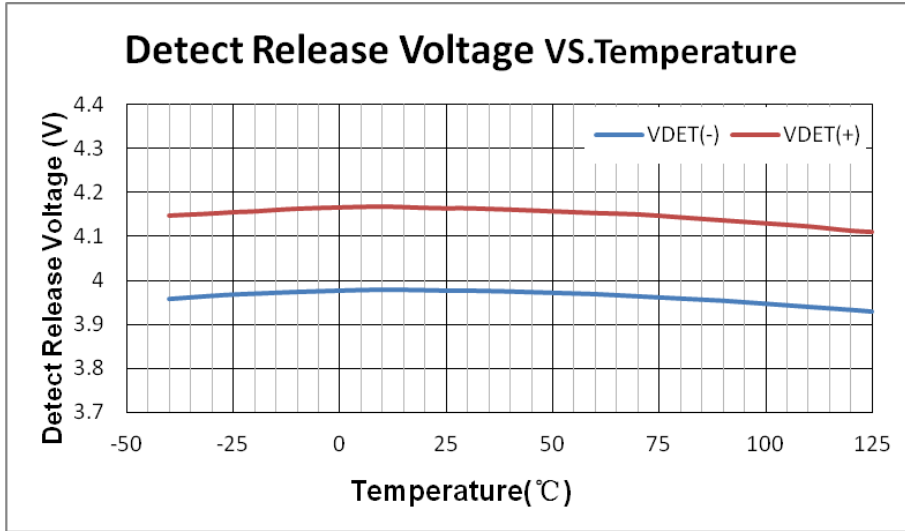
The hysteresis width is:

$$V_{HYS} = V_{DET(+)} - V_{DET(-)}$$

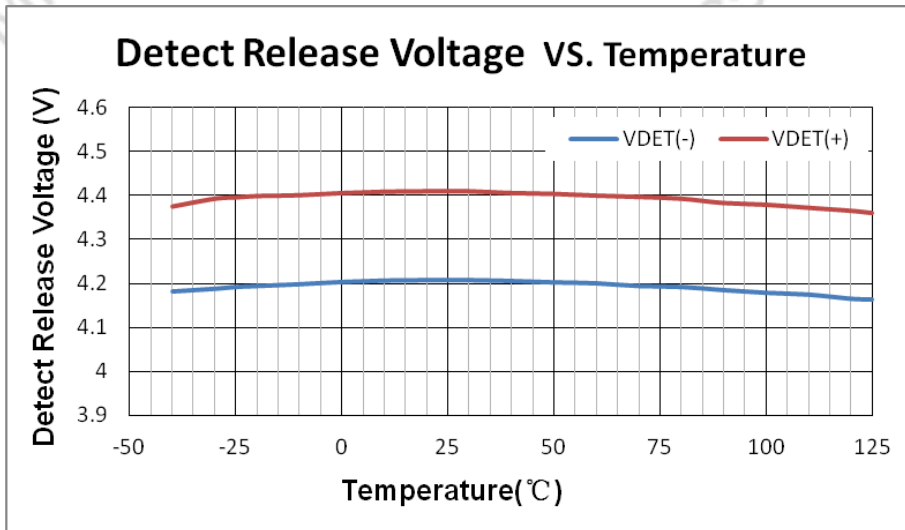


Typical Performance Characteristics

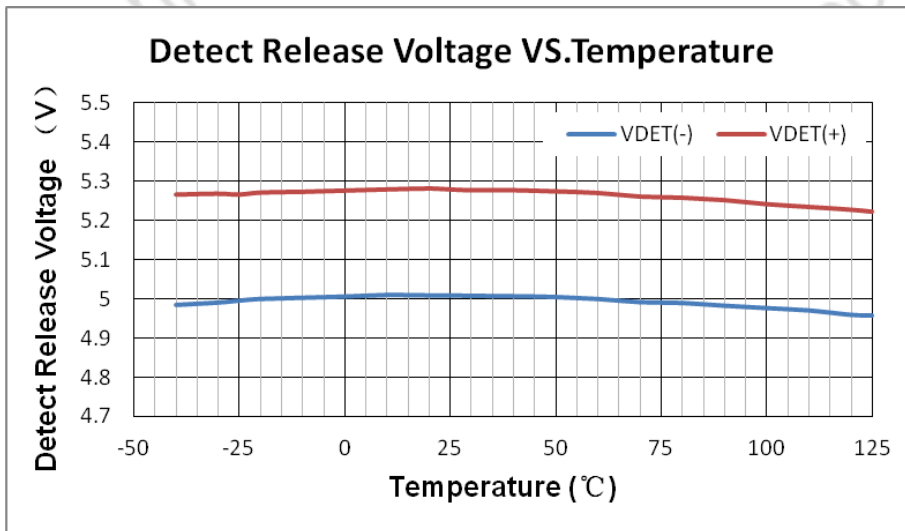
ME2808A40M3G



ME2808A42M3G

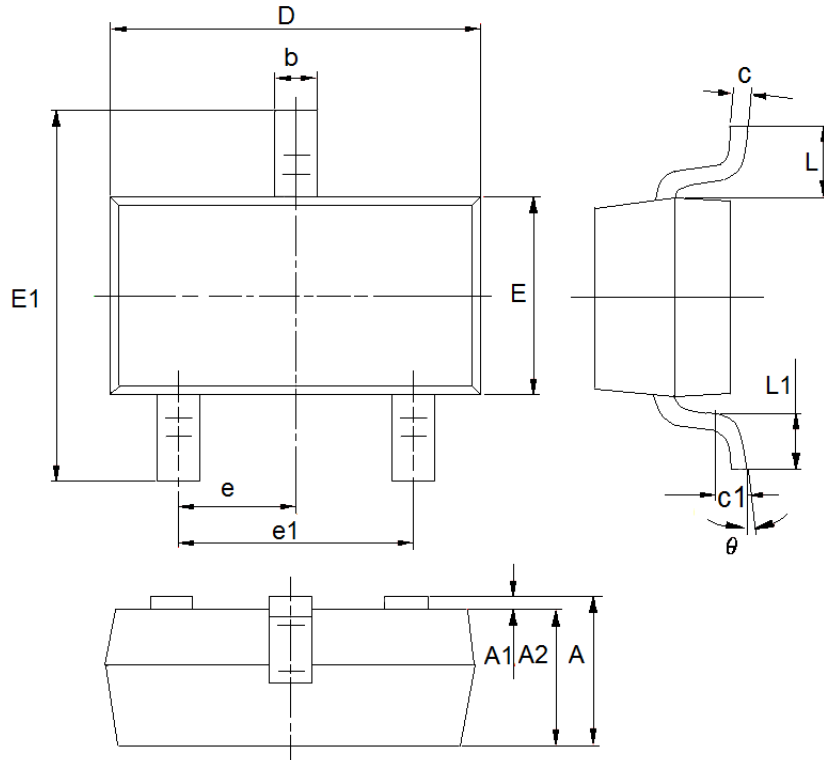


ME2808A50M3G



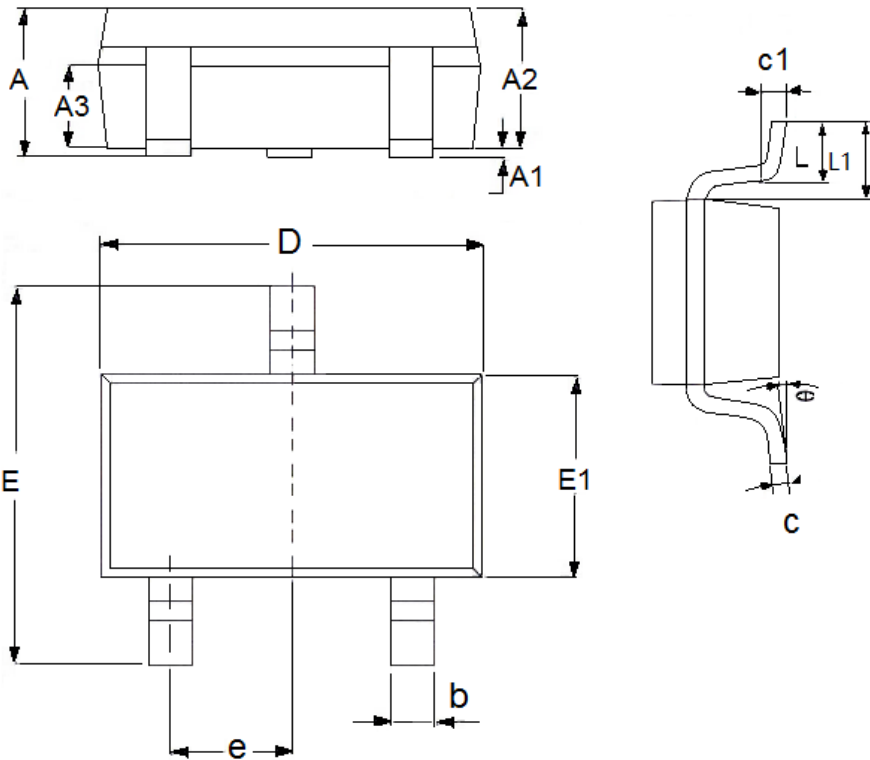
Packaging Information

● SOT23



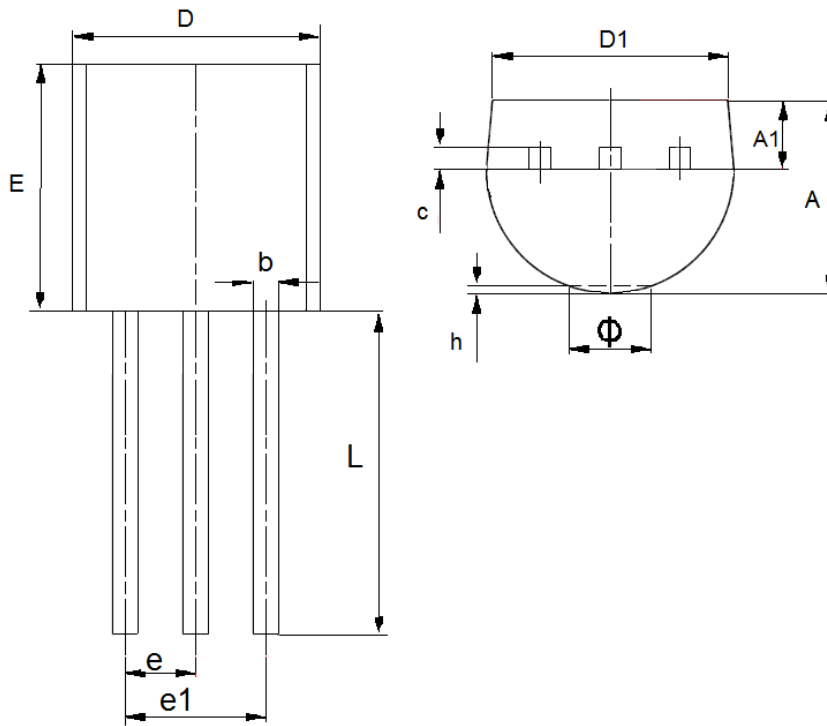
DIM	Millimeters		Inches	
	Min	Max	Min	Max
A	0.9	1.15	0.0354	0.0453
A1	0	0.14	0.0000	0.0055
A2	0.9	1.05	0.0354	0.0413
b	0.28	0.52	0.0110	0.0205
c	0.07	0.23	0.0028	0.0091
D	2.8	3.0	0.1102	0.1181
e1	1.8	2.0	0.0709	0.0787
E	1.2	1.4	0.0472	0.0551
E1	2.2	2.6	0.0866	0.1024
e	0.95(TYP)		0.0374(TYP)	
L	0.55(TYP)		0.0217(TYP)	
L1	0.25	0.55	0.0098	0.0217
θ	0	8°	0.0000	8°
c1	0.25(TYP)		0.0098(TYP)	

● SOT23-3



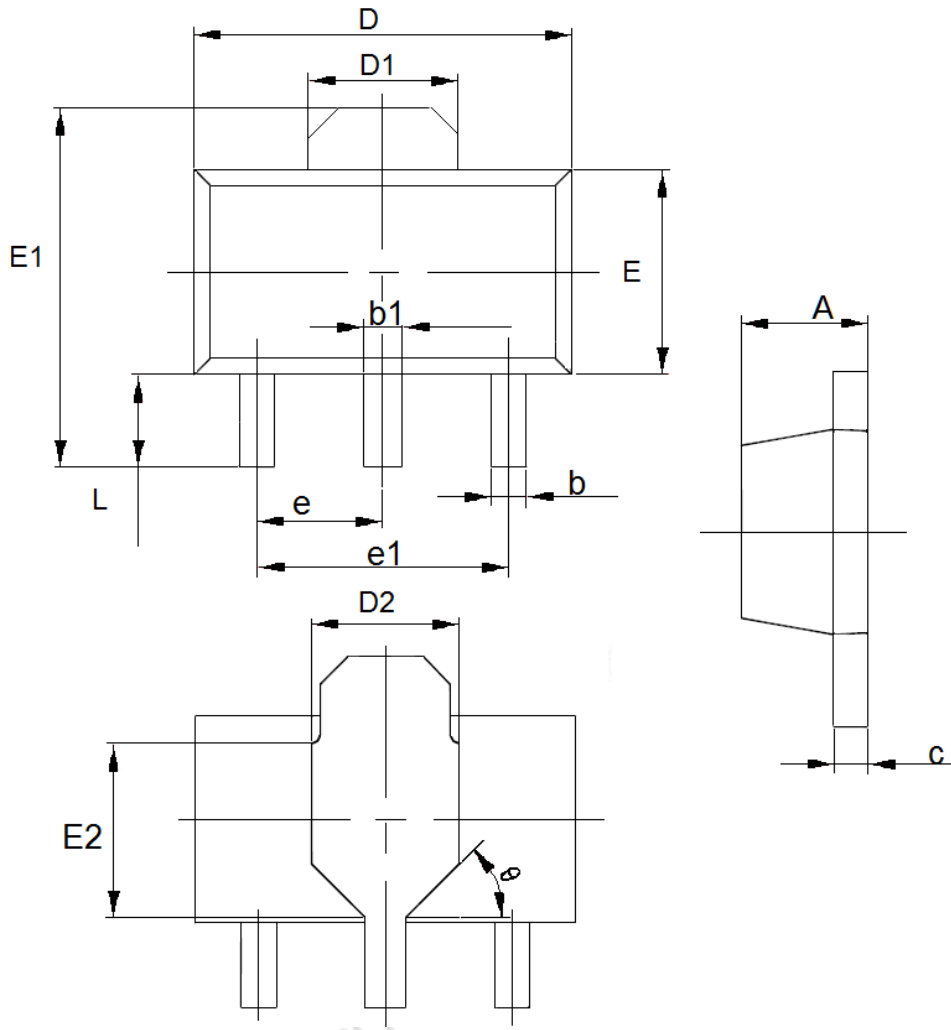
DIM	Millimeters		Inches	
	Min	Max	Min	Max
A	1.05	1.45	0.0413	0.0571
A1	0	0.15	0.0000	0.0059
A2	0.9	1.3	0.0354	0.0512
A3	0.6	0.7	0.0236	0.0276
b	0.25	0.5	0.0098	0.0197
c	0.1	0.25	0.0039	0.0098
D	2.8	3.1	0.1102	0.1220
E	2.6	3.1	0.1023	0.1220
E1	1.5	1.8	0.0591	0.0709
e	0.95(TYP)		0.0374(TYP)	
L	0.25	0.6	0.0098	0.0236
L1	0.59(TYP)		0.0232(TYP)	
θ	0	8°	0.0000	8°
c1	0.2(TYP)		0.0079(TYP)	

● TO-92



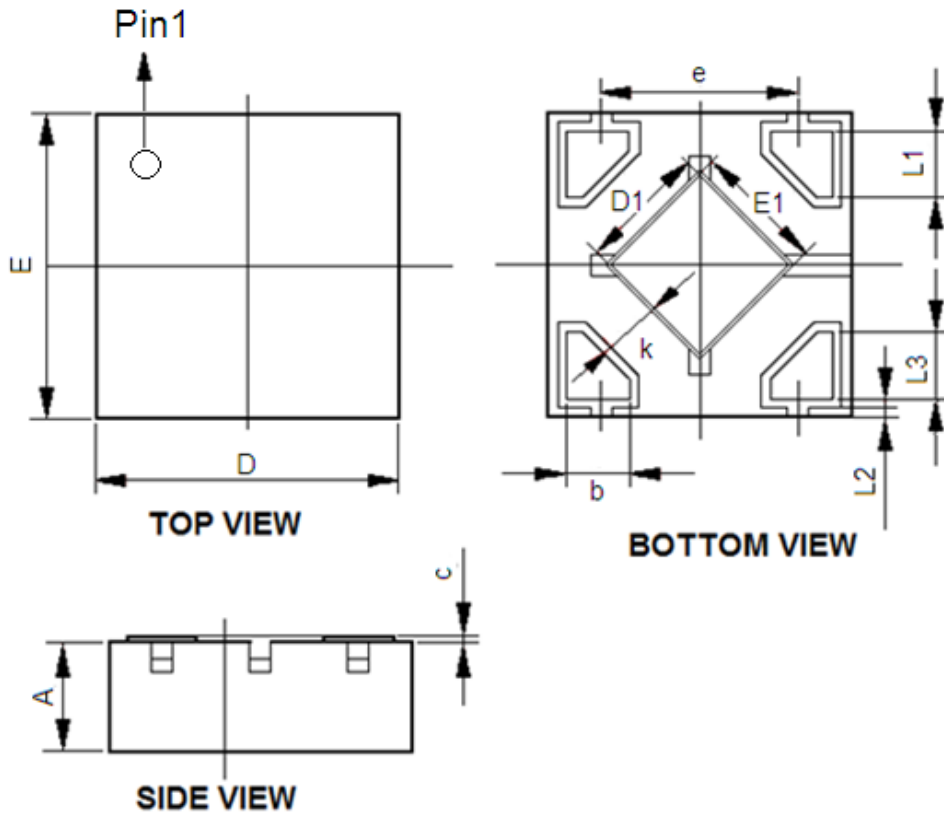
DIM	Millimeters		Inches	
	Min	Max	Min	Max
A	3.3	3.7	0.1299	0.1457
A1	1.1	1.4	0.0433	0.0551
b	0.38	0.55	0.015	0.0217
c	0.36	0.51	0.0142	0.0201
D	4.3	4.7	0.1693	0.185
D1	3.43	—	0.135	—
E	4.3	4.7	0.1693	0.185
e	1.27TYP		0.05TYP	
e1	2.44	2.64	0.0961	0.1039
L	14.1	14.5	0.5551	0.5709
h	0	0.38	0	0.015
Φ	—	1.6	—	0.063

● SOT89-3



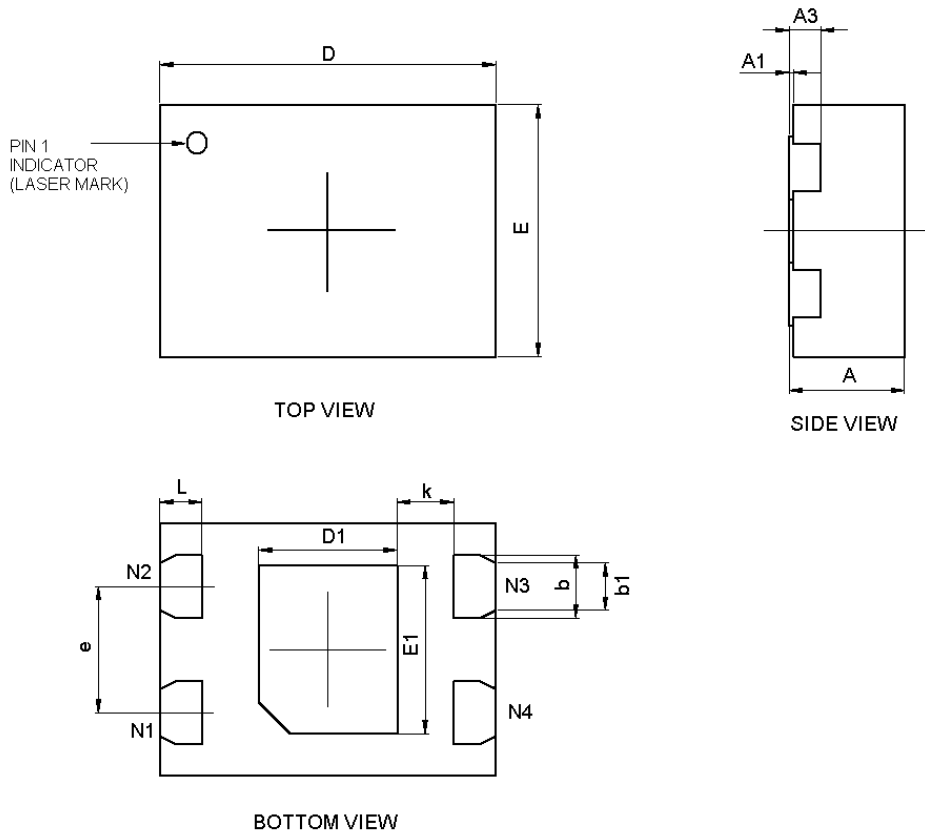
DIM	Millimeters		Inches	
	Min	Max	Min	Max
A	1.4	1.6	0.0551	0.0630
b	0.32	0.52	0.0126	0.0205
b1	0.4	0.58	0.0157	0.0228
c	0.35	0.45	0.0138	0.0177
D	4.4	4.6	0.1732	0.1811
D1	1.55(TYP)		0.061(TYP)	
D2	1.75(TYP)		0.0689(TYP)	
e1	3.0(TYP)		0.1181(TYP)	
E	2.3	2.6	0.0906	0.1023
E1	3.94	4.4	0.1551	0.1732
E2	1.9(TYP)		0.0748(TYP)	
e	1.5(TYP)		0.0591(TYP)	
L	0.8	1.2	0.0315	0.0472
θ	45°		45°	

● FBP1*1-4



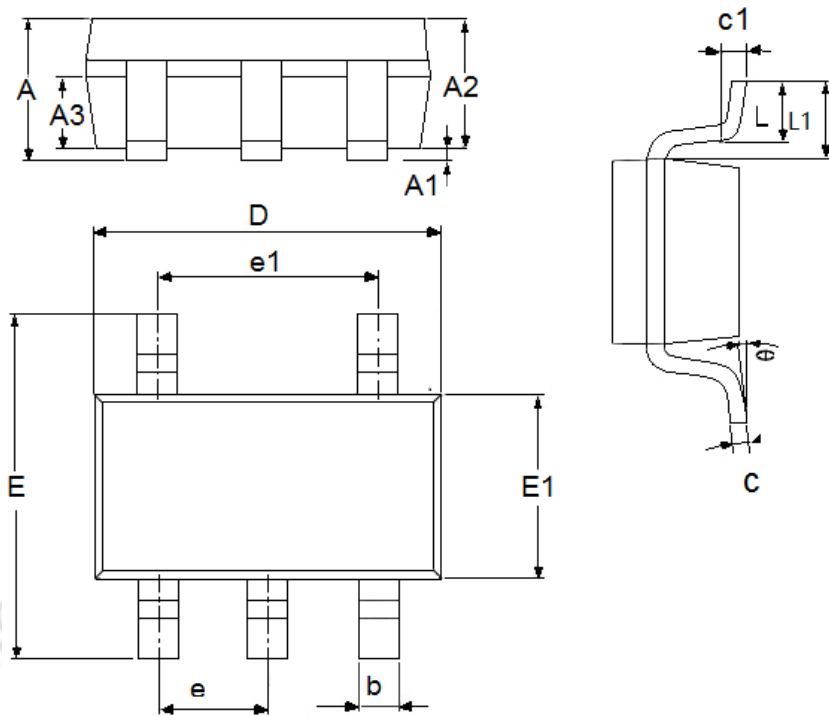
DIM	Millimeters		Inches	
	Min	Max	Min	Max
A	0.335	0.410	0.013	0.016
D	0.950	1.100	0.037	0.043
E	0.950	1.100	0.037	0.043
D1	0.370	0.470	0.015	0.019
E1	0.370	0.470	0.015	0.019
k	0.170MIN		0.007MIN	
b	0.160	0.260	0.060	0.010
C	0.010	0.090	0.000	0.004
e	0.600	0.700	0.024	0.028
L1	0.185	0.255	0.007	0.010
L2	0.03REF		0.001REF	
L3	0.185	0.255	0.007	0.010

● DFN1.2*1.6-4



DIM	Millimeters		Inches	
	Min	Max	Min	Max
A	0.5	0.6	0.0197	0.0236
A1	0	0.05	0	0.0020
A3	0.152 (TYP)		0.006 (TYP)	
D	1.5	1.7	0.0591	0.0669
E	1.1	1.3	0.0433	0.0512
D1	0.56	0.76	0.0221	0.0299
E1	0.7	0.9	0.0276	0.0355
b	0.25	0.35	0.0098	0.0138
b1	0.175	0.275	0.0069	0.0108
e	0.6 (TYP)		0.0236 (TYP)	
L	0.15	0.25	0.0059	0.0098
k	0.2 (TYP)		0.0079 (TYP)	

● SOT23-5



DIM	Millimeters		Inches	
	Min	Max	Min	Max
A	1.05	1.45	0.0413	0.0571
A1	0	0.15	0.0000	0.0059
A2	0.9	1.3	0.0354	0.0512
A3	0.6	0.7	0.0236	0.0276
b	0.25	0.5	0.0098	0.0197
c	0.1	0.23	0.0039	0.0091
D	2.82	3.05	0.1110	0.1201
e1	1.9(TYP)		0.0748(TYP)	
E	2.6	3.05	0.1024	0.1201
E1	1.5	1.75	0.0512	0.0689
e	0.95(TYP)		0.0374(TYP)	
L	0.25	0.6	0.0098	0.0236
L1	0.59(TYP)		0.0232(TYP)	
θ	0	8°	0.0000	8°
c1	0.2(TYP)		0.0079(TYP)	

- The contents of this document will be updated with the product's improvement without prior notice. Please consult our sales staff before using this document to ensure that you are using the latest version.
- The application circuit examples described in this document are only used to indicate the representative use of the product and do not guarantee the design of mass production.
- Please use this product within the limits stated in this document. We will not be responsible for any damage caused by improper use.
- The products described in this document are not allowed to be used in equipment or devices that affect the human body without the written permission of our company, including but not limited to: health equipment, medical equipment, disaster prevention equipment, fuel control equipment, automobile equipment, aviation equipment and vehicle equipment.
- Although our company has always been committed to improving product quality and reliability, semiconductor products have a certain probability of malfunction or wrong work. To prevent personal injury or property damage caused by such accidents, please pay full attention to safety design, for example: Alternate design, fire protection design, and prevention of wrong action design.
- When exporting this product or this document overseas, you should abide by applicable import and export control laws.
- Copying or reprinting part or all of this document in any form without the permission of our company is strictly prohibited.